



Review of Meter Replacements 2024-2025

Staff Presentation
2/19/2026



Background

RCSD serves approximately 40,000 customers from about 7,000 water services with meters at each connection to identify water use (consumption).

- Total Number of Water Meters is approximately 6,900
- Average life expectancy for residential meters (dependent on type) = 15 to 20 years
- Approximately 50% of Districts meters are older than 15 years

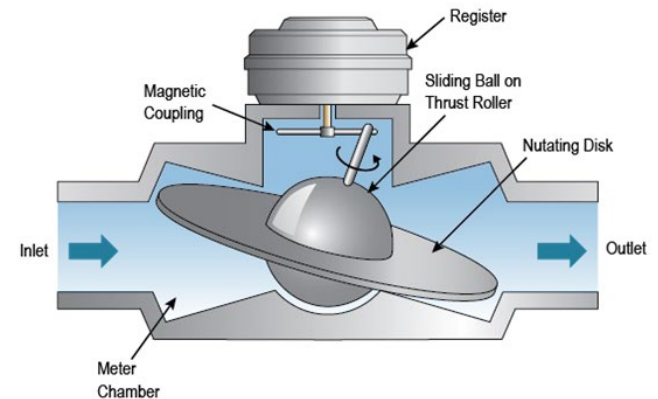
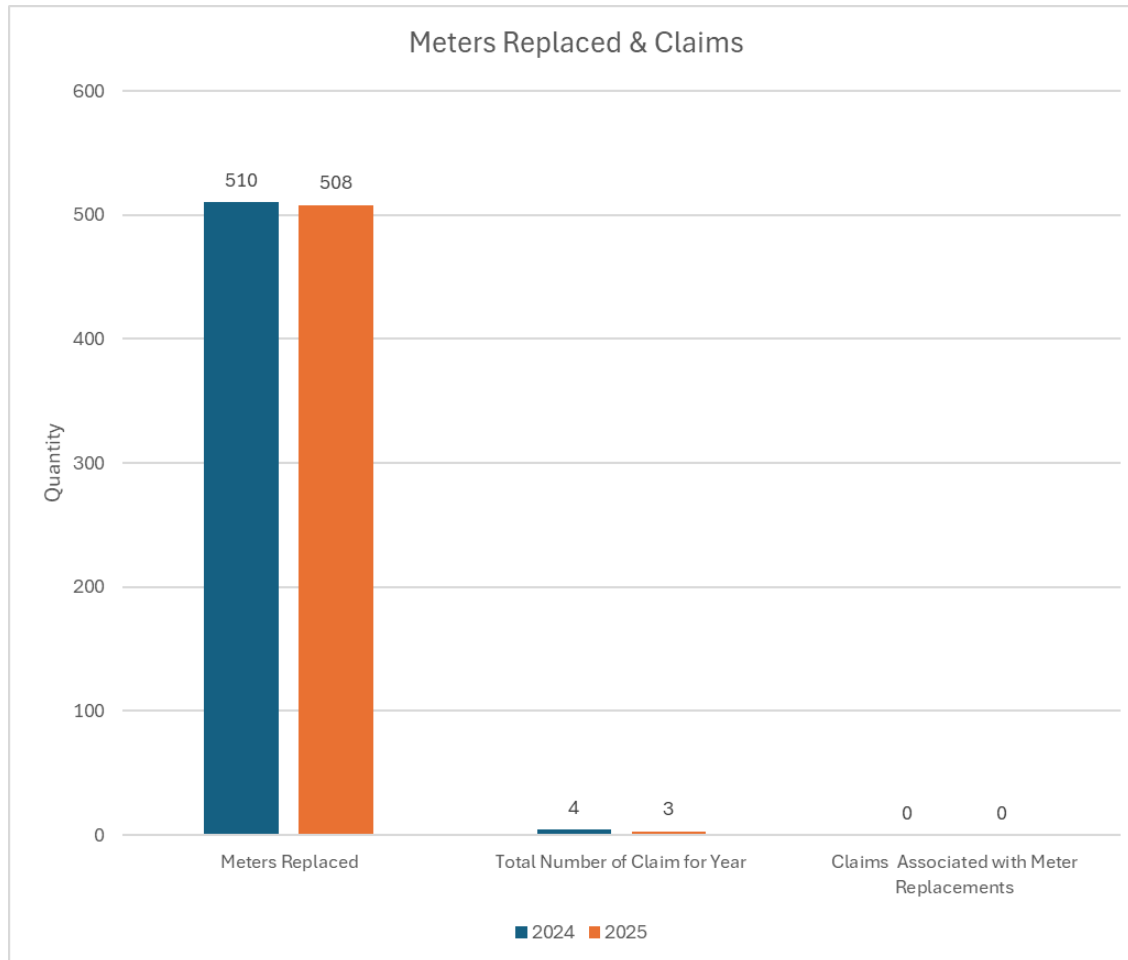


Image: <https://www.pnnl.gov/projects/femp-metering-best-practices/water-metering>



Meters Replaced and Claims Over Last Two Years





Questions

Rubidoux Community Services District
Office: 951.684.7580
www.rcsd.org